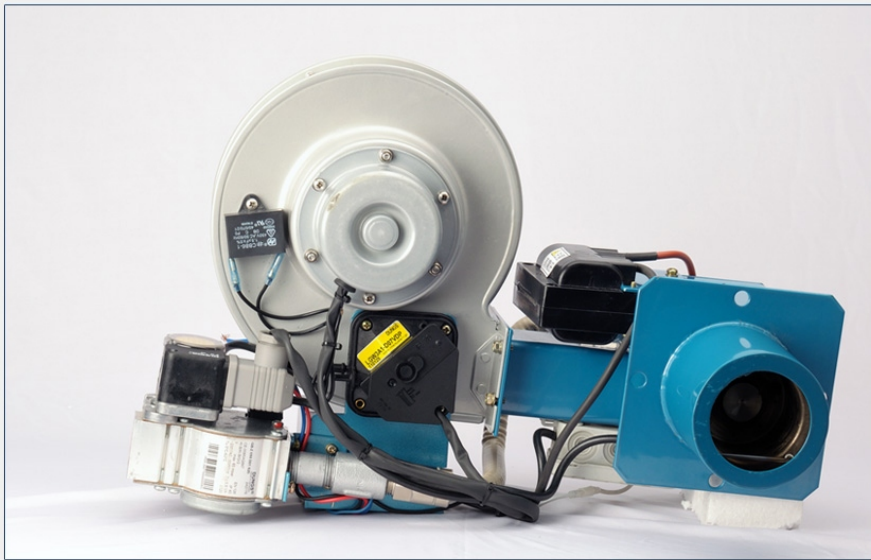


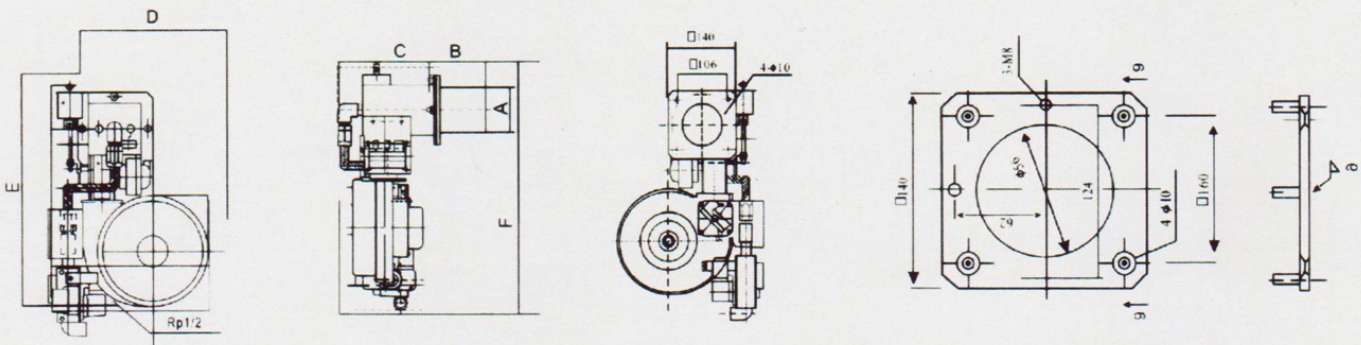


# Olympia Gas Burner

## KSY Series



MODEL	OUTPUT KCAL/HR	OUTPUT KW	CONTROL	MOTOR WATT / PHASE
KSY - 1.6	25000	30	ON - OFF	40 / 1Ø
KSY - 2.3	35000	41	ON - OFF	80 / 1Ø



Model	A	B	C	D	E	F
KSY1.6	$\phi 89.1$	100	236	288	415	345
KSY2.3	$\phi 89.1$	100	236	288	415	345

### OLYMPIA KOGYO CO.,LTD.

7-33-28 FUJIMICHO, TACHIKAWA, TOKYO, JAPAN

### EXPORTER:

### OLYMPIA INTERNATIONAL LTD.

3254-2 TERAJIMA, HAMAKITA, SHIZUOKA, JAPAN

\*The above specifications are subject to change without any prior notice for the improvement.