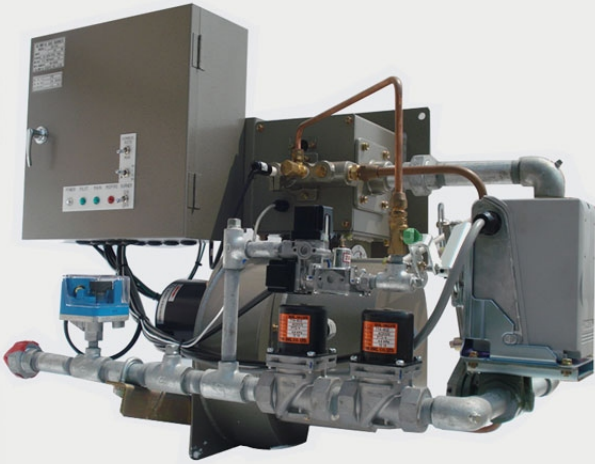


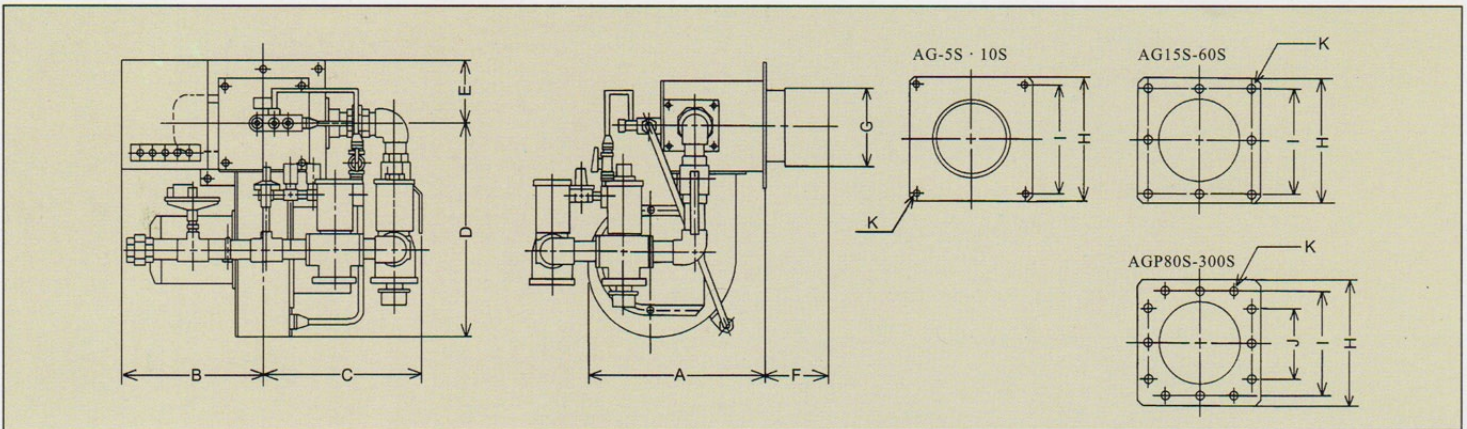
AG Series

SPECIFICATIONS



MODEL	OUTPUT KCAL/HR	OUTPUT KW	CONTROL	MOTOR WATT / PHASE
AG - 5S	50000	59	ON - OFF	40 / 1Ø
AG - 10S	100000	118	ON - OFF	150 / 1Ø
AG - 15S	150000	176	ON - OFF	250 / 1Ø
AG - 25S	250000	294	ON - OFF	400 / 3Ø
AG - 30S	300000	353	ON - OFF	400 / 3Ø
AG - 40S	400000	471	ON - OFF	750 / 3Ø
AG - 45S	450000	529	ON - OFF	750 / 3Ø
AG - 60S	600000	706	ON - OFF	1000 / 3Ø
AG - 5WS	50000	59	TWO STAGE	40 / 1Ø
AG - 10WS	100000	118	TWO STAGE	150 / 1Ø
AG - 15WS	150000	176	TWO STAGE	250 / 1Ø
AG - 25WS	250000	294	TWO STAGE	400 / 3Ø
AG - 30WS	300000	353	TWO STAGE	400 / 3Ø
AG - 40WS	400000	471	TWO STAGE	750 / 3Ø
AG - 45WS	450000	529	TWO STAGE	750 / 3Ø
AG - 60WS	600000	706	TWO STAGE	1000 / 3Ø
AG - 80WS	800000	941	TWO STAGE	1500 / 3Ø
AGP - 5S	50000	59	PROPORTIONAL	40 / 1Ø
AGP - 10S	100000	118	PROPORTIONAL	150 / 1Ø
AGP - 15S	150000	176	PROPORTIONAL	250 / 1Ø
AGP - 25S	250000	294	PROPORTIONAL	400 / 3Ø
AGP - 30S	300000	353	PROPORTIONAL	400 / 3Ø
AGP - 40S	400000	471	PROPORTIONAL	750 / 3Ø
AGP - 45S	450000	529	PROPORTIONAL	750 / 3Ø
AGP - 60S	600000	706	PROPORTIONAL	1000 / 3Ø
AGP - 80S	800000	941	PROPORTIONAL	1500 / 3Ø
AGP - 100S	1000000	1176	PROPORTIONAL	1500 / 3Ø
AGP - 150S	1500000	1765	PROPORTIONAL	2200 / 3Ø
AGP - 200S	2000000	2353	PROPORTIONAL	3700 / 3Ø
AGP - 250S	2500000	2941	PROPORTIONAL	5500 / 3Ø
AGP - 300S	3000000	3529	PROPORTIONAL	7500 / 3Ø

DIMENSIONS



Unit/mm

MODEL	A	B	C	D	E	F	φG	□H	□I	J	K
AG-5S	250	270	270	275	115	100	101	200	180	-	4-φ 10
AG-10S	270	277	275	290	120	100	114	200	180	-	4-φ 10
AG-15S	362	293	360	365	135	100	140	270	240	-	8-φ 12
AG-25S	397	293	410	415	135	100	160	270	240	-	8-φ 12
AG-30S	425	305	440	470	135	120	180	270	240	-	8-φ 12
AG-40S	460	305	480	505	135	120	180	270	240	-	8-φ 12
AG-45S	460	305	480	505	135	120	180	270	240	-	8-φ 12
AG-60S	505	435	540	540	155	120	216	340	310	-	8-φ 12
AGP-80S	576	450	570	640	175	150	240	380	350	240	12-φ 12
AGP-100S	576	460	570	650	182	150	260	400	364	240	12-φ 12
AGP-150S	626	490	580	710	225	180	290	450	410	240	12-φ 13
AGP-200S	676	510	600	760	245	180	330	490	450	260	12-φ 13
AGP-250S	910	525	640	1020	260	200	360	520	480	280	12-φ 13
AGP-300S	950	550	660	1050	290	200	410	580	544	300	12-φ 13

NOTE: Dimensional values above are all standard specifications. If you need special specifications, please ask us for the drawing separately. Piping dimensions vary a little to the kind of gas.